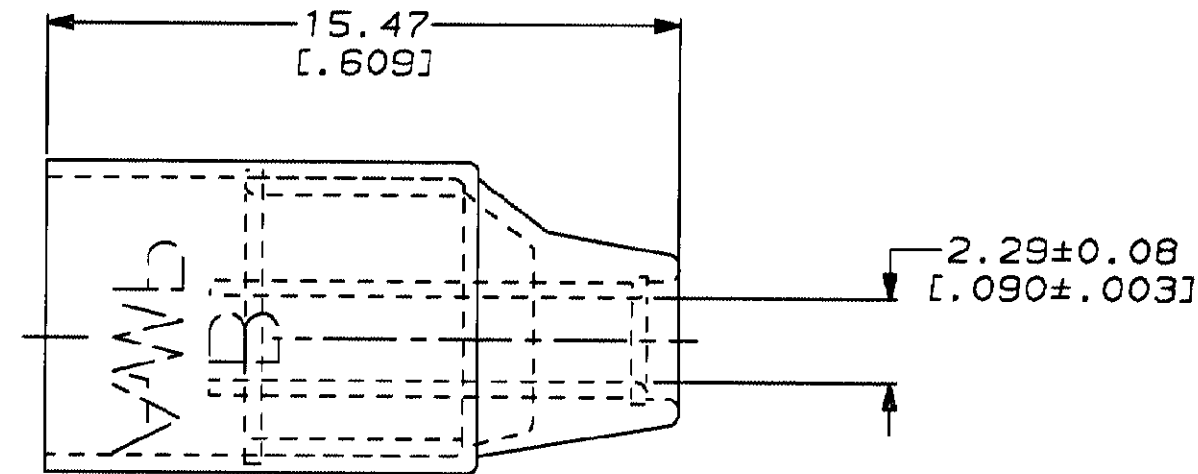
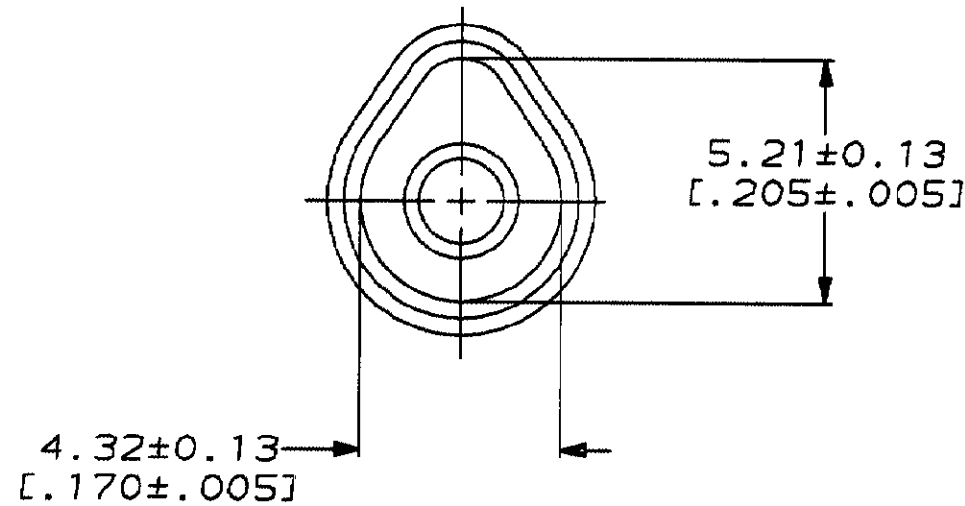


THIS DRAWING IS UNPUBLISHED. RELEASED FOR PUBLICATION ,19 .  
 © COPYRIGHT 19 BY AMP INCORPORATED. ALL INTERNATIONAL RIGHTS RESERVED.

| LOC | DIST | P | F | REVISIONS |     |                         |           |      |
|-----|------|---|---|-----------|-----|-------------------------|-----------|------|
|     |      |   |   | ZONE      | LTR | DESCRIPTION             | DATE      | APPD |
| AJ  | 16   |   |   |           | K   | REDWN & REV PER AJ-6056 | 01/13/93  | JPD  |
|     |      | ✓ | ✓ |           | L   | REV PER 0220-0149-93    | 20/DEC/93 | BMW  |

- 1 MATERIALS:  
 INNER FERRULE: BRASS PER MIL-C-50  
 OUTER FERRULE: COPPER PER QQ-C-576  
 MOLDING: NYLON (COLOR: NATURAL)
- 2 FINISH:  
 INNER FERRULE: TIN PL PER MIL-T-10727  
 OUTER FERRULE: TIN PL PER MIL-T-10727
- 3. 1.50-2.16 [.059-.085] PRIMARY INSULATION DIA RANGE



THIS DRAWING IS A CONTROLLED DOCUMENT FOR AMP INCORPORATED. IT IS SUBJECT TO CHANGE AND THE CONTROLLING ENGINEERING ORGANIZATION SHOULD BE CONTACTED FOR THE LATEST REVISION.

|  |   |   |  |
|--|---|---|--|
| DO NOT SCALE PRINT. UNLESS SPECIFIED DIMENSIONS IN mm (INCHES) TOLERANCES ON:<br>2 PLC DEC * .20 (.008)<br>3 PLC DEC * -<br>ANGLES * - |   | DR 01/13/93<br>J.DAVIS<br>CHK 02/05/93<br>G.MICHAEL<br>APPD 02/05/93<br>G.MICHAEL<br>APPD 02/05/93<br>J.DAVIS<br>PRODUCT SPEC -<br>APPLICATION SPEC -<br>WEIGHT .026 OZ | PART NO<br><b>AMP</b> AMP Incorporated<br>Harrisburg, PA 17105-3608<br>NAME<br>CONN, COAX, R.F.,<br>TERMASHIELD, FERRULE<br>SIZE B CAGE CODE 00779 DRAWING NO C-329332<br>SCALE NTS SHEET 1 OF 1 |
| MATERIAL   | 1 |   |  |
| FINISH   | 2 |   |  |